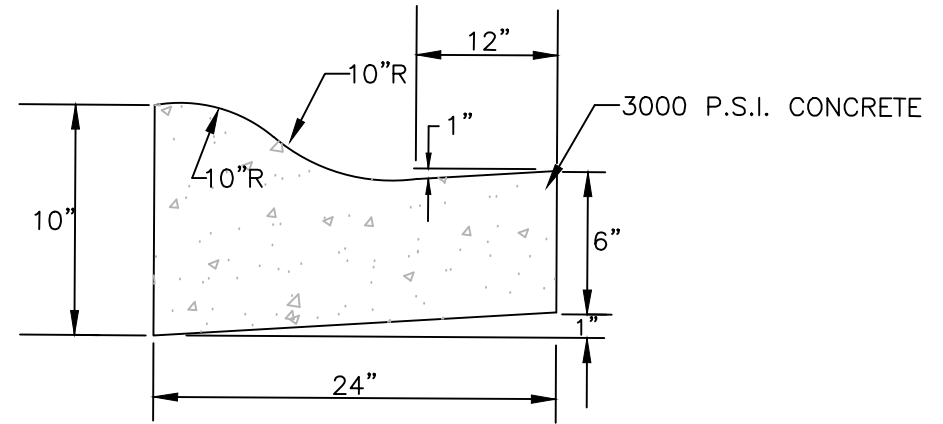


STANDARD CURB AND GUTTER
NOT TO SCALE



OGEE CURB AND GUTTER
NOT TO SCALE

- NOTES:
- 1) "SPILL" SECTIONS ARE NOT SHOWN BUT ARE REQUIRED AS NEEDED TO PREVENT THE PONDING OF WATER. THE CONTRACTOR SHALL CONTACT THE ENGINEER PRIOR TO STARTING WORK AS TO ASCERTAIN WHERE "SPILL" SECTIONS ARE REQUIRED. (TYPICAL ALL CURB SECTIONS).
 - 2) PLACE EXPANSION JOINT IN CURB PER STANDARD SPECIFICATIONS, SECTION 8 - CHAPTER 3.

TYPICAL 24"
CONCRETE CURB AND
GUTTER

7.04

| DATE | BY | DESCRIPTION |
|---------|-----|--------------------------|
| 9/29/05 | CKC | ADDED OGEE CURB |
| 6/21/23 | BGM | CHANGE FONT, TITLE BLOCK |
| 3/27/26 | BGM | ADD EXPANSION JOINT NOTE |