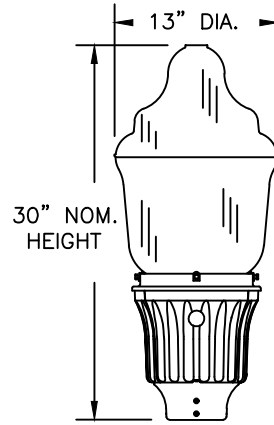
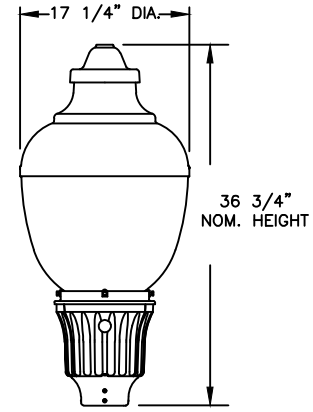


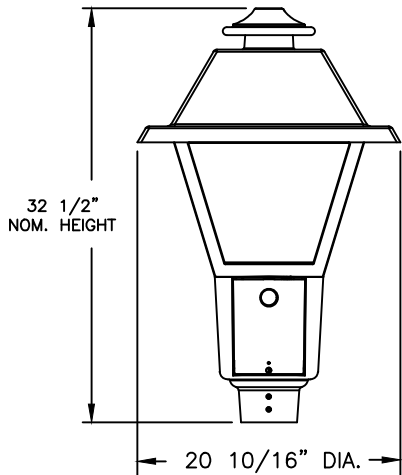
ROUND



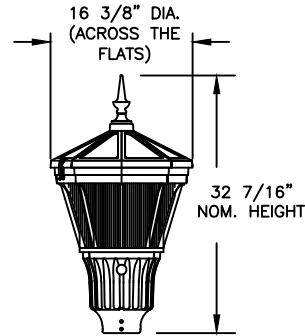
ACORN



CLASSIC



TRADITIONAL



OCTAGONAL

NOTES:

1. STREET LIGHTS SHALL BE INSTALLED AT ALL STREET INTERSECTIONS AND AT REGULAR INTERVALS BETWEEN 280' AND 320' APART.
2. A STREETLIGHTING PLAN SHALL BE APPROVED BY THE CITY ENGINEER PRIOR TO INSTALLATION.
3. STANDARD POLES SHALL BE 17' FIBERGLASS AS PROVIDED BY DOMINION ENERGY.
4. STREETLIGHTS TO BE PROVIDED BY DOMINION ENERGY UNLESS OTHERWISE APPROVED BY THE CITY ENGINEER.

STREET LIGHT STANDARDS

7.15

6/21/23	BGM	CHANGE FONT, TITLE BLOCK
DATE	BY	DESCRIPTION