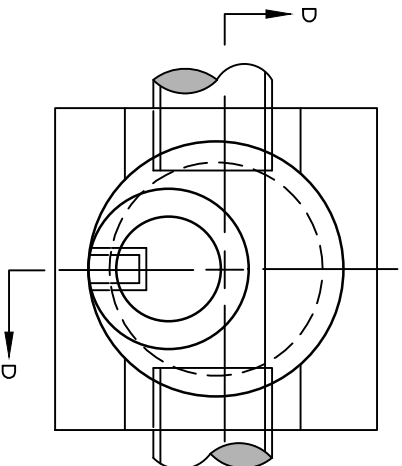
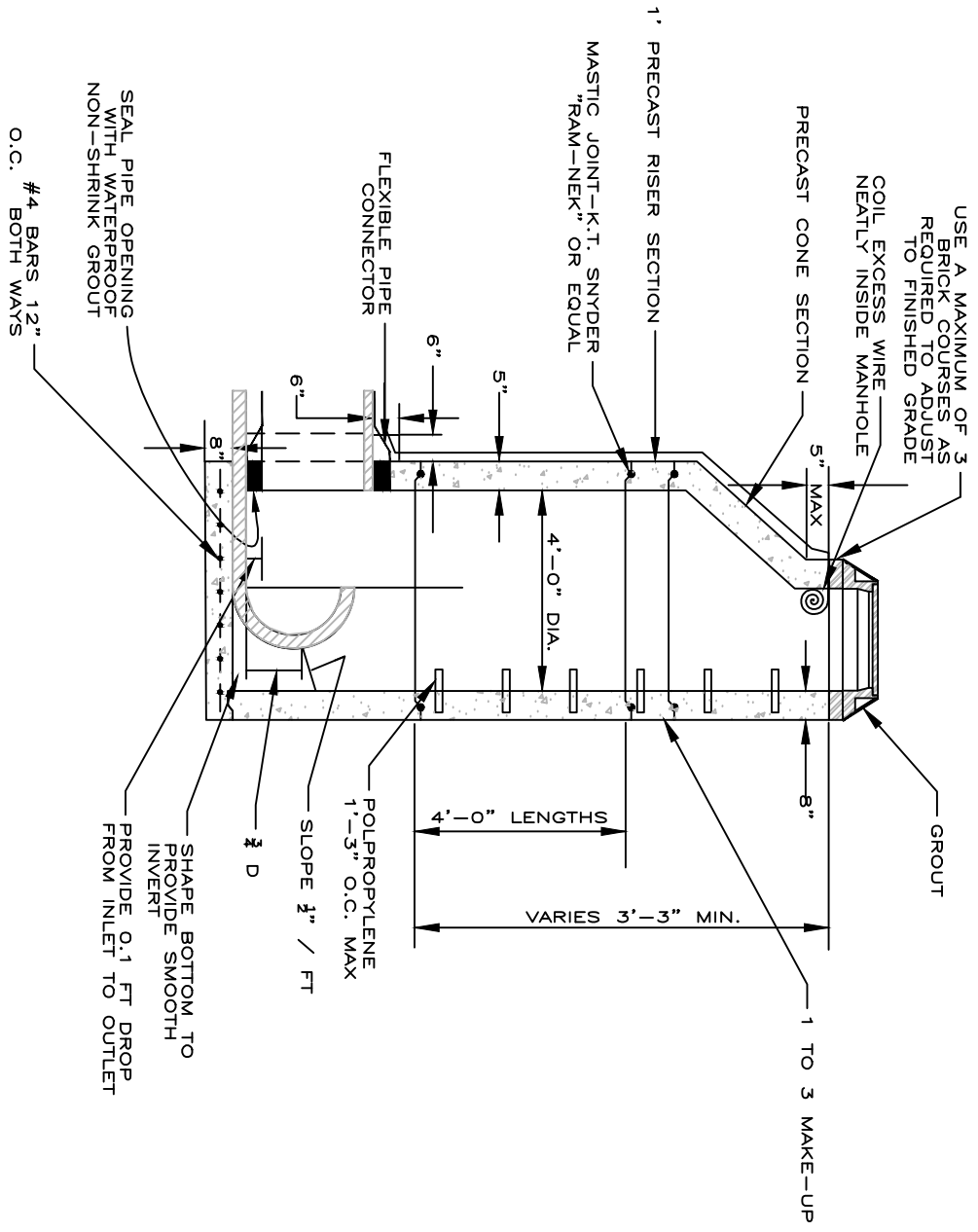


- NOTES:
1. INSTALL IN ALL MANHOLES AN INFLOW PROTECTOR BOWL WITH BUILT IN STRAP.
 2. INSTALL IN DESIGNATED MANHOLES A FRAME - CHIMNEY SEAL BY NPT, INC. OR EQUAL.
 3. ALL MANHOLES MUST HAVE REINFORCED PRECAST OR POURED BOTTOM SLAB
 4. INVERT DIFFERENCES OF > 2' REQUIRE A DROP MANHOLE. SEE DETAIL 5.03



PLAN



SECTION D-D

NOT TO SCALE

STANDARD MANHOLE

5.01

| DATE | BY | DESCRIPTION |
|---------|-----|--------------------------|
| 9/27/05 | CKC | ADDED NOTES |
| 9/27/06 | MEN | ADDED NOTES/REBAR |
| 5/28/22 | BGM | CHANGE FONT, TITLE BLOCK |
| 1/06/26 | BGM | ADD TRACER WIRE |

