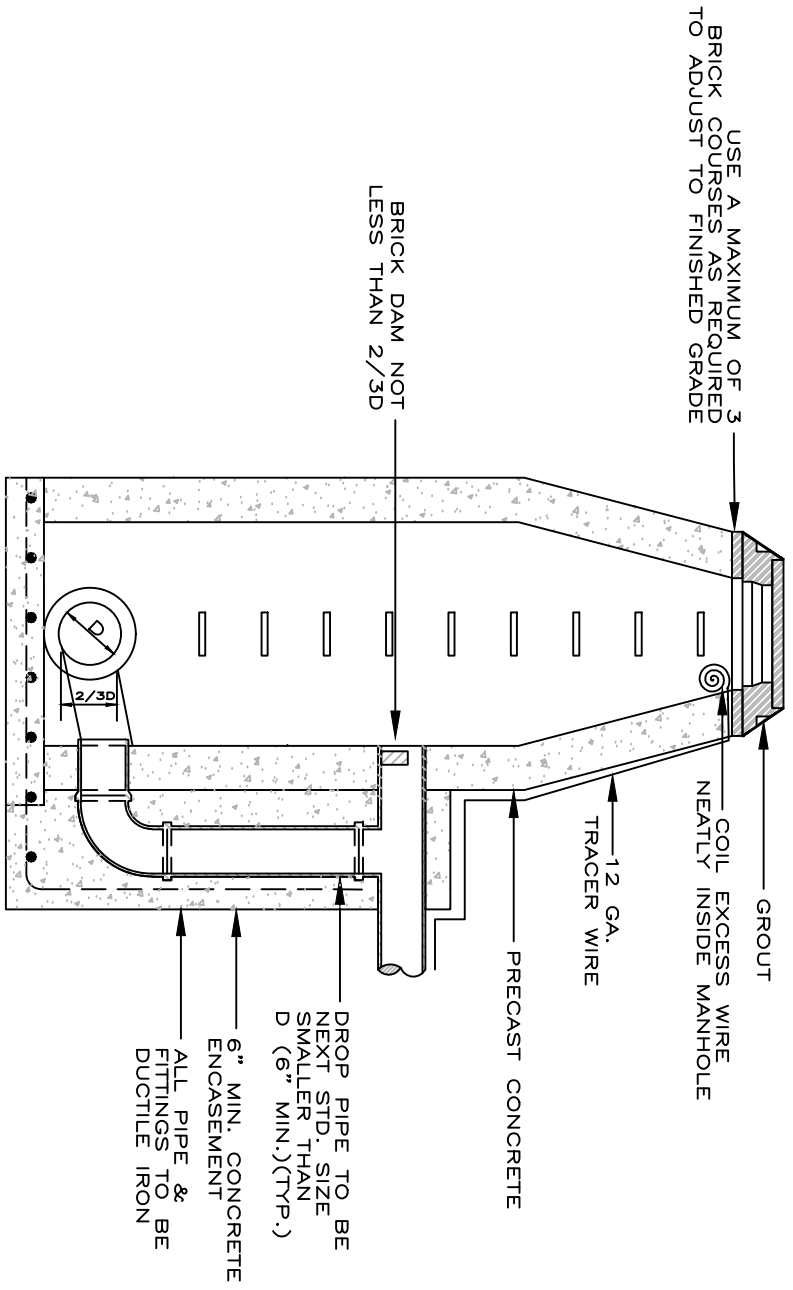
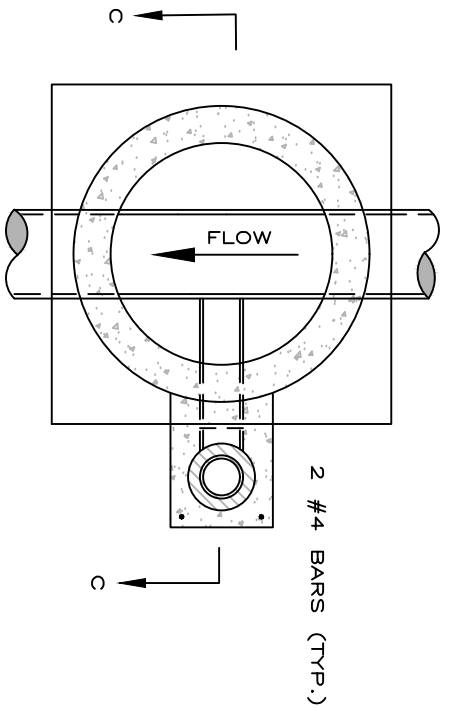


NOTE: DROP MANHOLE TO BE USED WHERE INLET AND OUTLET I.E. DIFFERENCE IS GREATER THAN 2.0'

D=INSIDE DIAMETER OF MAINLINE PIPE



NOT TO SCALE

OUTSIDE DROP MANHOLE

5.03

DATE	BY	DESCRIPTION
5/28/22	BGM	CHANGE FONT, TITLE BLOCK
2/01/24	BGM	DELETE EXTRA CONCRETE, EXTEND TEE INSIDE MANHOLE
1/06/26	BGM	ADD TRACER WIRE

