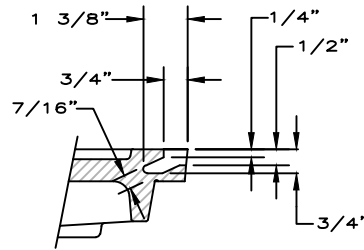
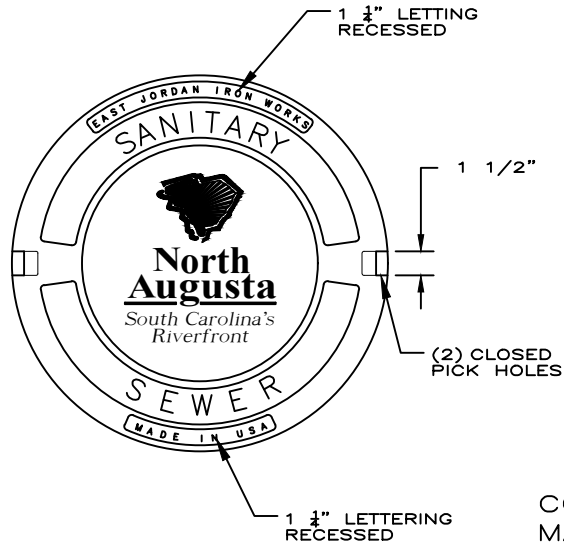
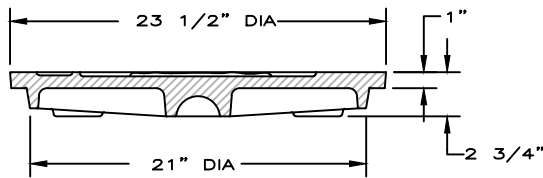


NOTE: MACHINED SURFACES
BEARING SURFACES BETWEEN
COVER AND FRAME

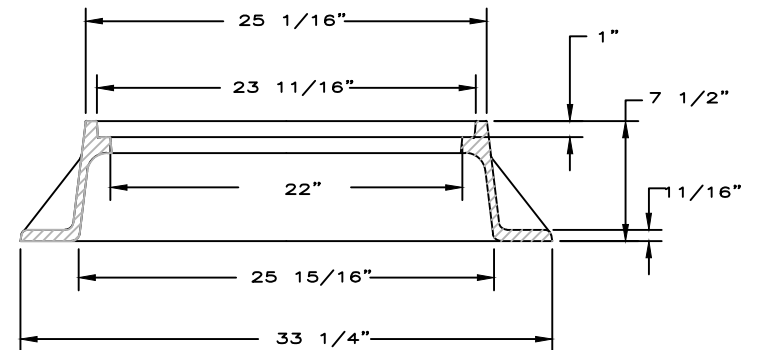
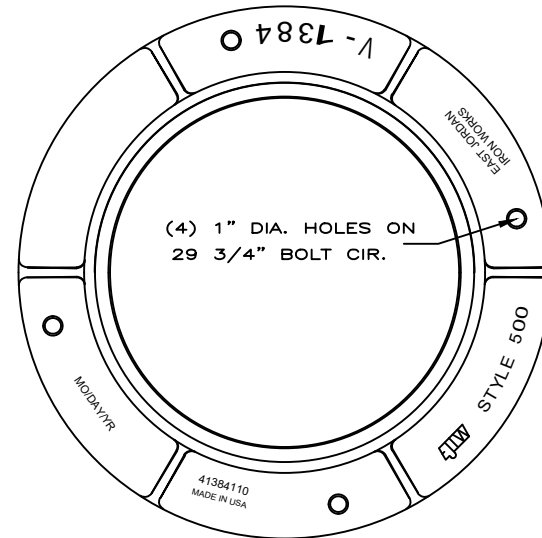


PICKHOLE DETAIL

COVER: 130 LBS
MATERIAL — GREY IRON
PRODUCT NO. 41384110
CATALOG NO. V-1384



COVER SECTION



FRAME SECTION

MFGR: EAST
JORDAN IRON
WORKS, INC.

800-626-4653

NOT TO SCALE

STANDARD (TRAFFIC)
FRAME AND COVER

5.05

DATE	BY	DESCRIPTION
5/13/03	TCZ	TRAFFIC SANITARY LID W/LOGO
5/28/22	BGM	CHANGE FONT, TITLE BLOCK

North Augusta
South Carolina's Riverfront
PUBLIC WORKS & ENGINEERING