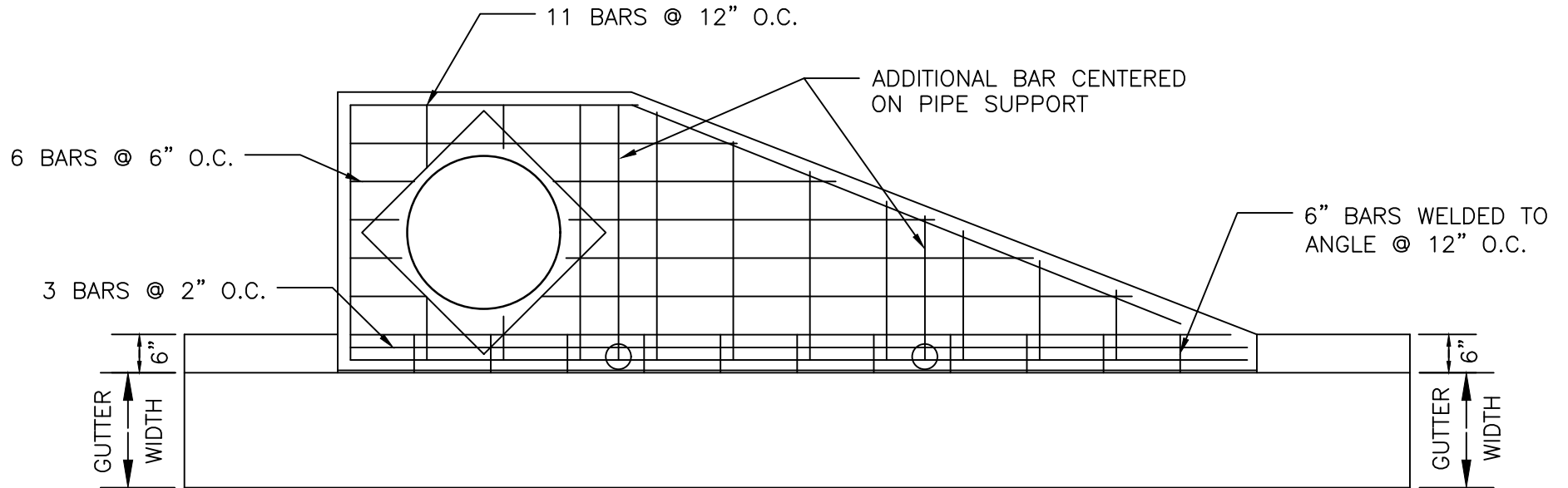


NOTES:

1. ALL REBAR TO BE #5.
2. MAINTAIN 1 1/2" CLEAR SPACE BETWEEN STEEL AND BOTTOM OF TRAP TOP.



NOT TO SCALE

REBAR SCHEDULE

6.02

DATE	BY	DESCRIPTION
2/16/23	BGM	CHANGE FONT, TITLE BLOCK
1/06/25	BGM	MISC UPDATES