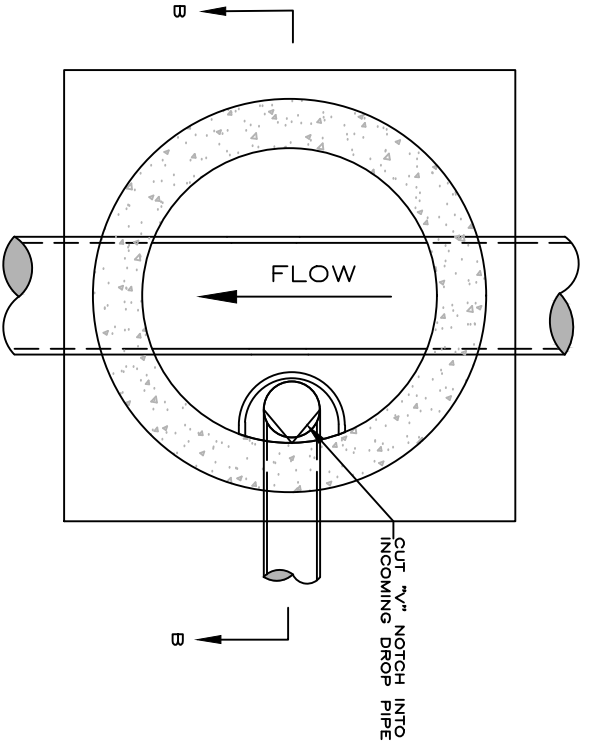


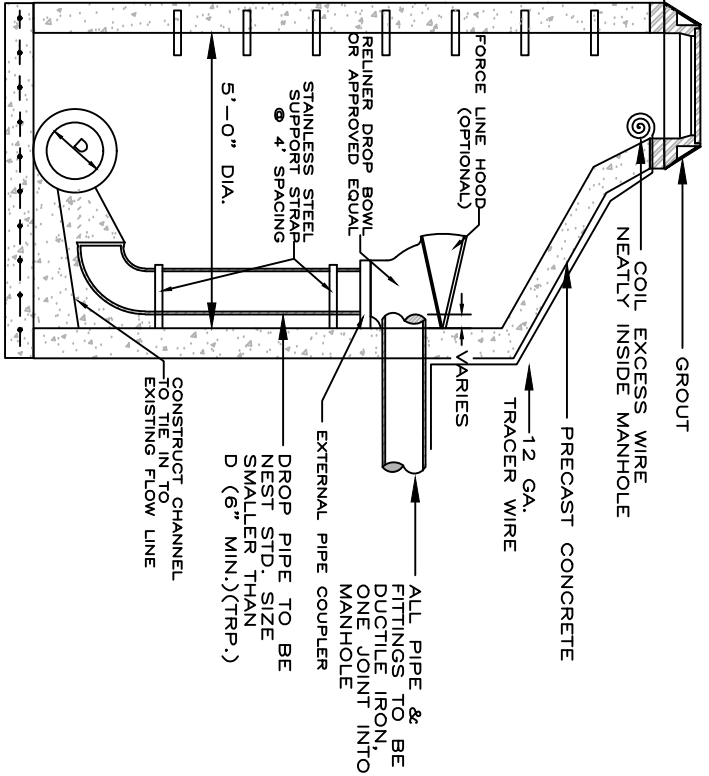
NOTE: DROP MANHOLE TO BE USED WHERE INLET AND OUTLET I.E. DIFFERENCE IS GREATER THAN 2.0'. INSIDE DROP MANHOLES TO HAVE MINIMUM DIAMETER OF 60" (5')

D=INSIDE DIAMETER OF MAINLINE PIPE



PLAN

USE A MAXIMUM OF 3 BRICK COURSES AS REQUIRED TO ADJUST TO FINISHED GRADE



SECTION B-B

NOT TO SCALE

INSIDE DROP MANHOLE

5.04

1/06/26	BGM	CREATED
DATE	BY	DESCRIPTION

