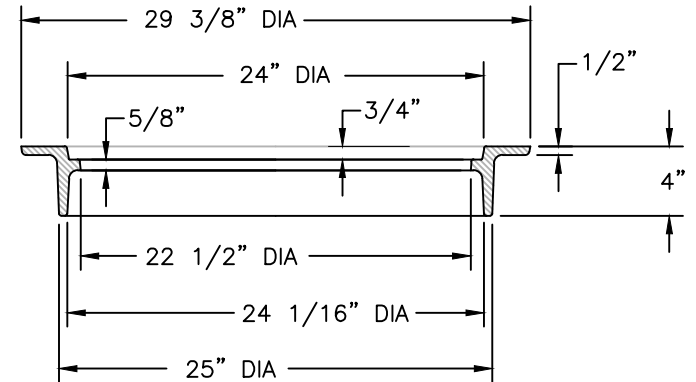
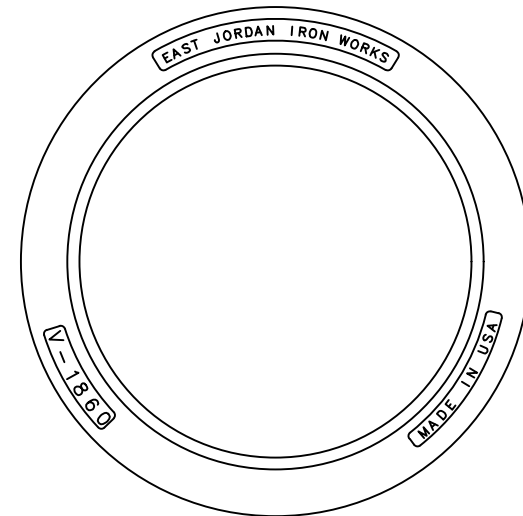
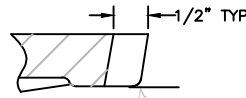


COVER SECTION

OPEN PICKHOLE DETAIL

MACHINED BEARING SURFACES BETWEEN COVER & FRAME



FRAME SECTION

COVER: 70 LBS
 MATERIAL - GRAY IRON
 PRODUCT NO. 41860020
 CATALOG NO. V1860

MFGR: EAST JORDAN IRON WORKS, INC.

800-626-4653

NOT TO SCALE

NON-TRAFFIC
 FRAME & COVER

6.10

DATE	BY	DESCRIPTION
4/01/03	TCZ	ADDED LID DESIGN W/LOGO
2/16/23	BGM	CHANGE FONT, TITLE BLOCK

