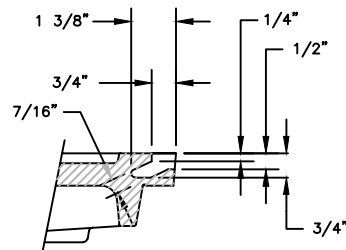
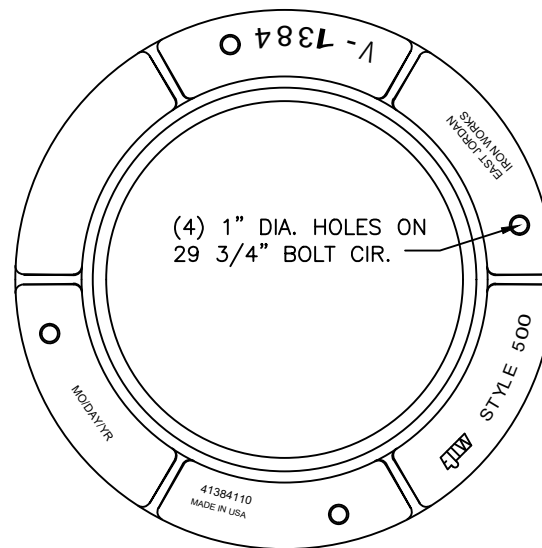


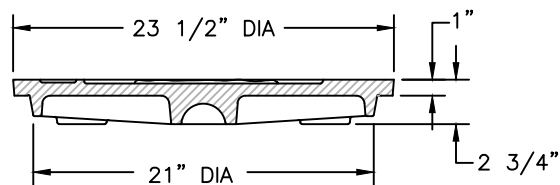
NOTE: MACHINED SURFACES BEARING SURFACES BETWEEN COVER AND FRAME



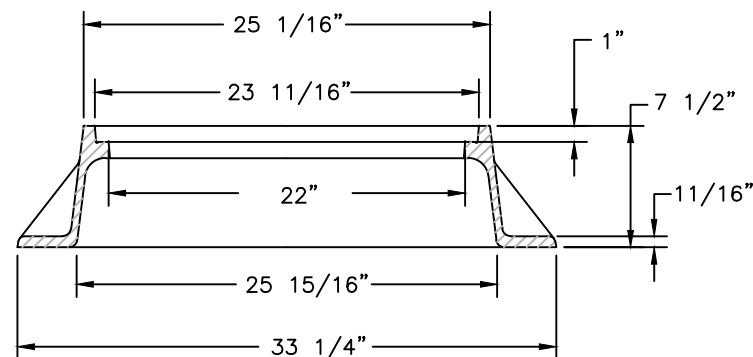
PICKHOLE DETAIL



COVER: 130 LBS
 MATERIAL - GRAY IRON
 PRODUCT NO. 41384110
 CATALOG NO. V1384



COVER SECTION



FRAME SECTION

NOT TO SCALE

TRAFFIC (HEAVY DUTY)
 FRAME & COVER

6.11

6/13/03	TCZ	TRAFFIC STORM LID W/LOGO
2/16/23	BGM	CHANGE FONT, TITLE BLOCK
DATE	BY	DESCRIPTION

