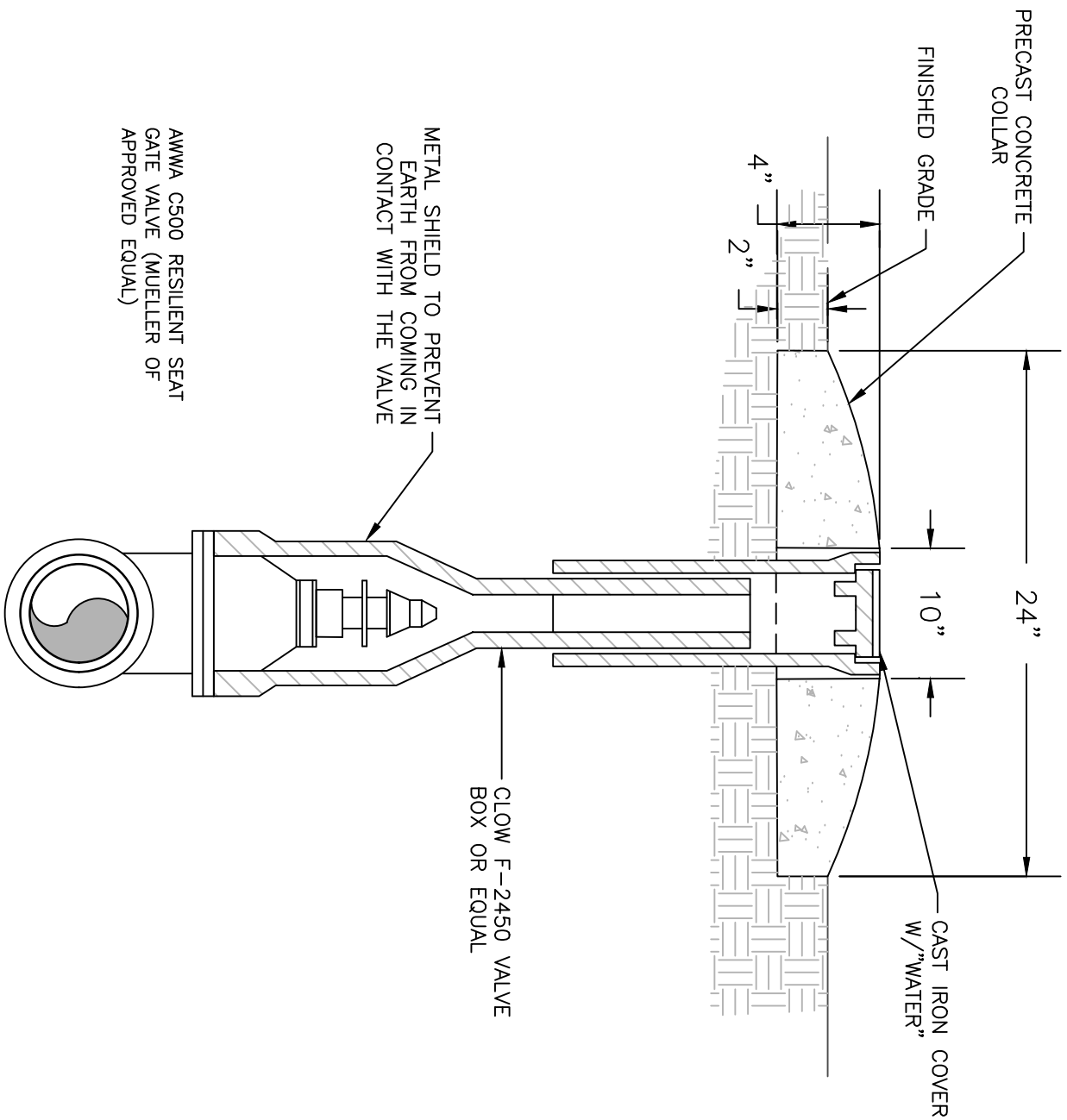


NOTE:
 ALL VALVE BOXES TO HAVE
 VALVE GUARD TO PREVENT SAND
 AND DEBRIS FROM BLOCKING
 OPERATING NUT.



AWWA C500 RESILIENT SEAT
 GATE VALVE (MUELLER OF
 APPROVED EQUAL)

METAL SHIELD TO PREVENT
 EARTH FROM COMING IN
 CONTACT WITH THE VALVE

CLOW F-2450 VALVE
 BOX OR EQUAL

NOT TO SCALE

VALVE BOX INSTALLATION

4.02

DATE	BY	DESCRIPTION
9/29/05	CKC	ADDED NOTE
5/28/22	BGM	CHANGE FONT, TITLE BLOCK