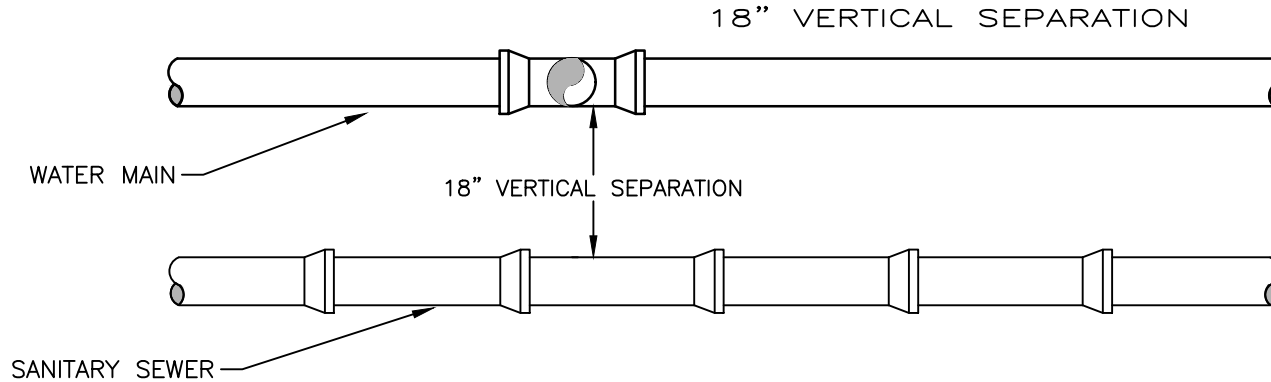


PLAN VIEW



PROFILE VIEW

NOT TO SCALE

PER SCDES
R61-67 300.A.14.b

WATER AND SEWER
SEPARATION

4.05

| | | |
|---------|-----|--------------------------|
| | | |
| 5/28/22 | BGM | CHANGE FONT, TITLE BLOCK |
| DATE | BY | DESCRIPTION |