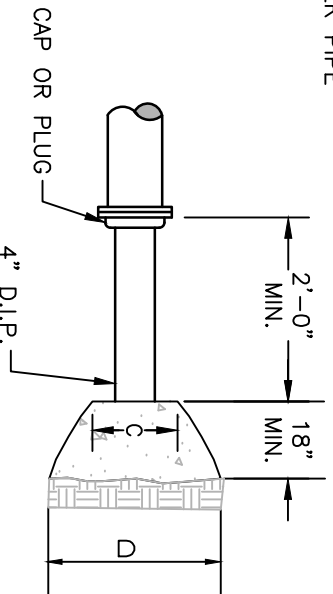
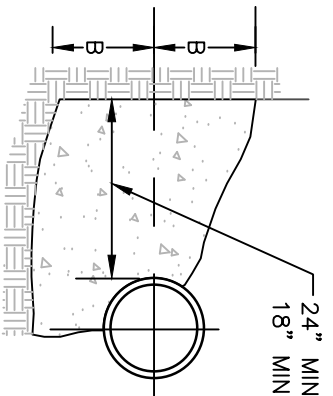


PLAN-BENDS

PLAN-TEES



SECTION X-X
BENDS & TEES

PLAN & ELEVATION
CAPS AND PLUGS

NOTES:

1. DO NOT ALLOW CONCRETE TO COVER BOLTS, GLANDS, RINGS, OR NUTS.
2. SUFFICIENT THRUST BLOCK BEARING AREA SHALL BE INSTALLED TO DISTRIBUTE THE THRUST INTO THE UNDISTURBED TRENCH WALL OF SUITABLE BEARING CAPACITY.
3. WHERE IT IS DETERMINED THAT THE TRENCH WALL WILL NOT PROVIDE SUITABLE SUPPORT, 3/4" ALL-THREAD RODS AND EYE BOLTS SHALL BE USED IN LIEU OF BLOCKING.

TYPE	SIZE	1/4 BENDS		1/8 BENDS		1/16 BENDS		TEES		PLUGS	
		A	B	A	B	A	B	A	B	C	D
TYPE I 4000 PSF SOIL	6"	10"	12"	8"	10"	5"	10"	10"	10"	12"	17"
	8"	14"	14"	10"	12"	7"	11"	11"	14"	14"	22"
TYPE II 2000 PSF SOIL	6"	19"	13"	12"	13"	9"	11"	13"	15"	13"	24"
	8"	25"	16"	16"	16"	11"	13"	16"	19"	15"	32"
	10"	29"	20"	17"	20"	13"	16"	19"	23"	14"	39"

NOT TO SCALE

THRUST BLOCKING
WATER MAINS

4.08

DATE	BY	DESCRIPTION
5/28/22	BGM	MERGE CHART AND DETAIL
5/28/22	BGM	CHANGE FONT, TITLE BLOCK