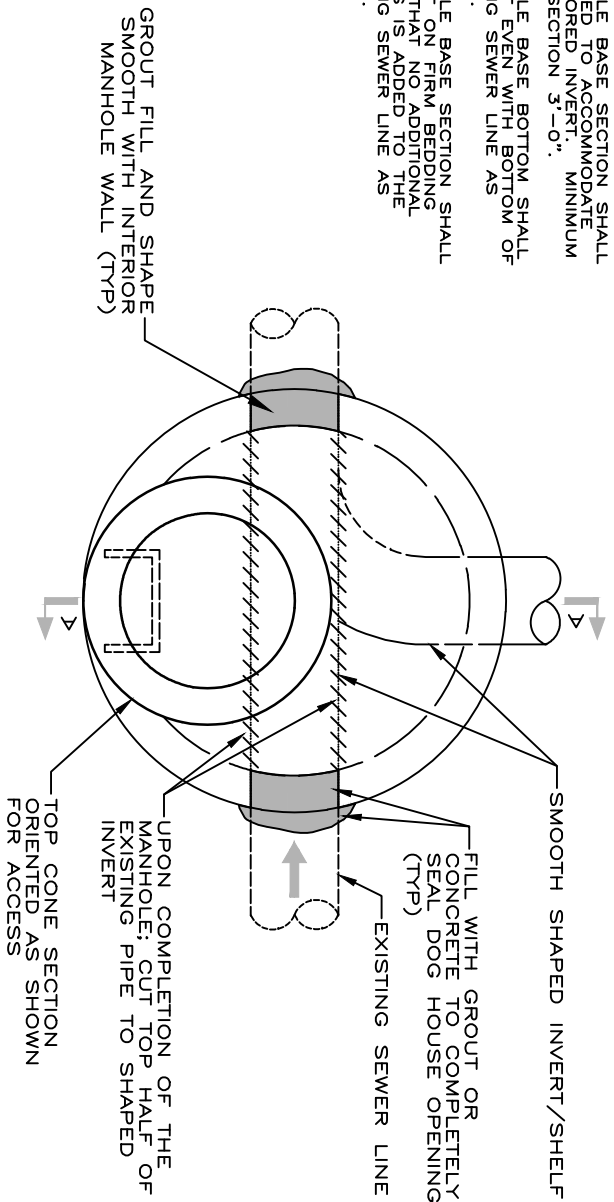
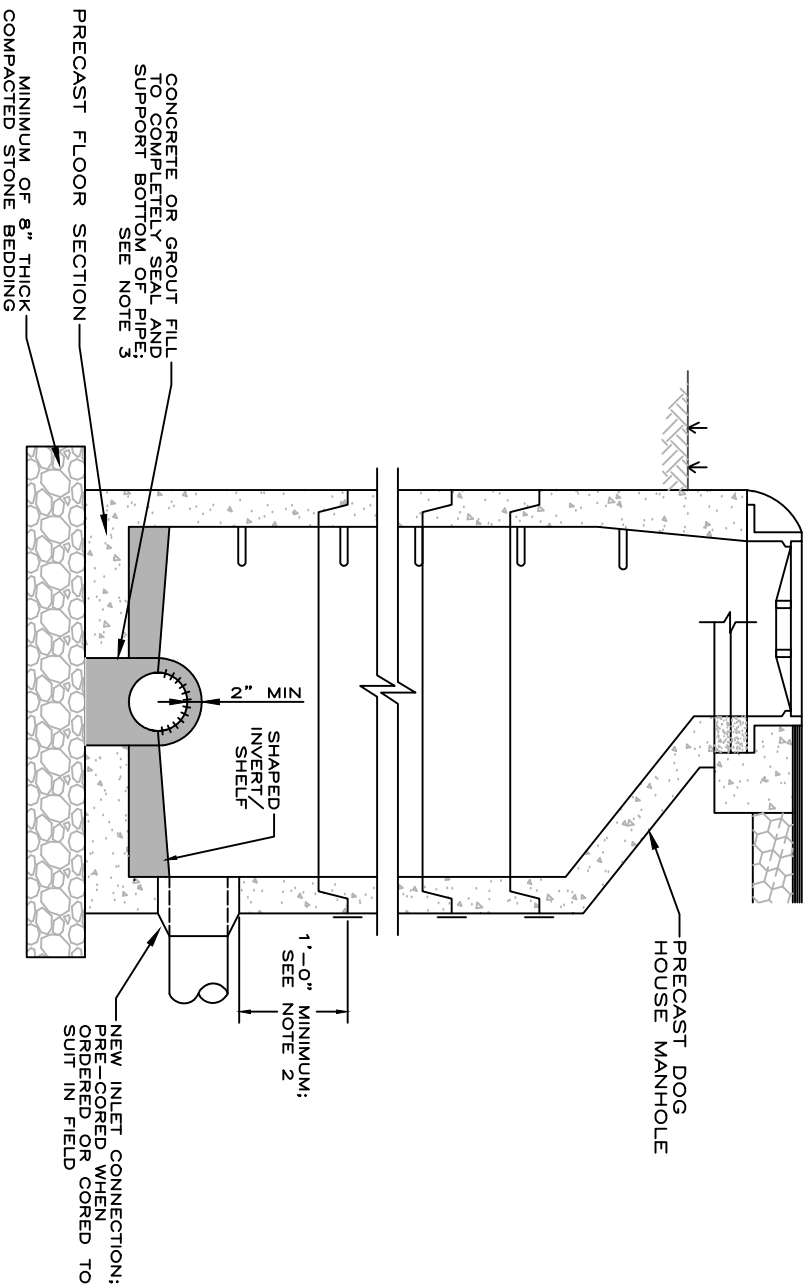


- NOTES:**
 1. SEE STANDARD DETAIL 5.01 FOR ADDITIONAL MANHOLE INFORMATION
 2. MANHOLE BASE SECTION SHALL BE SIZED TO ACCOMMODATE NEW CORED INVERT. MINIMUM BASE SECTION 3'-0".
 3. MANHOLE BASE BOTTOM SHALL BE SET EVEN WITH BOTTOM OF EXISTING SEWER LINE AS SHOWN.
 4. MANHOLE BASE SECTION SHALL BE SET ON FIRM BEDDING SUCH THAT NO ADDITIONAL STRESS IS ADDED TO THE EXISTING SEWER LINE AS SHOWN.



SECTIONAL PLAN



SECTION A-A

NOT TO SCALE

DOGHOUSE MANHOLE

5.13

DATE	BY	DESCRIPTION
2020	BGM	CREATED
5/28/22	BGM	CHANGE FONT, TITLE BLOCK